

OVERVIEW: TOP VIEW

REVEAL IS ABSENT FROM VIEW

OVERVIEW

1/4" MASONITE OVERHANG TO COVER REVEAL

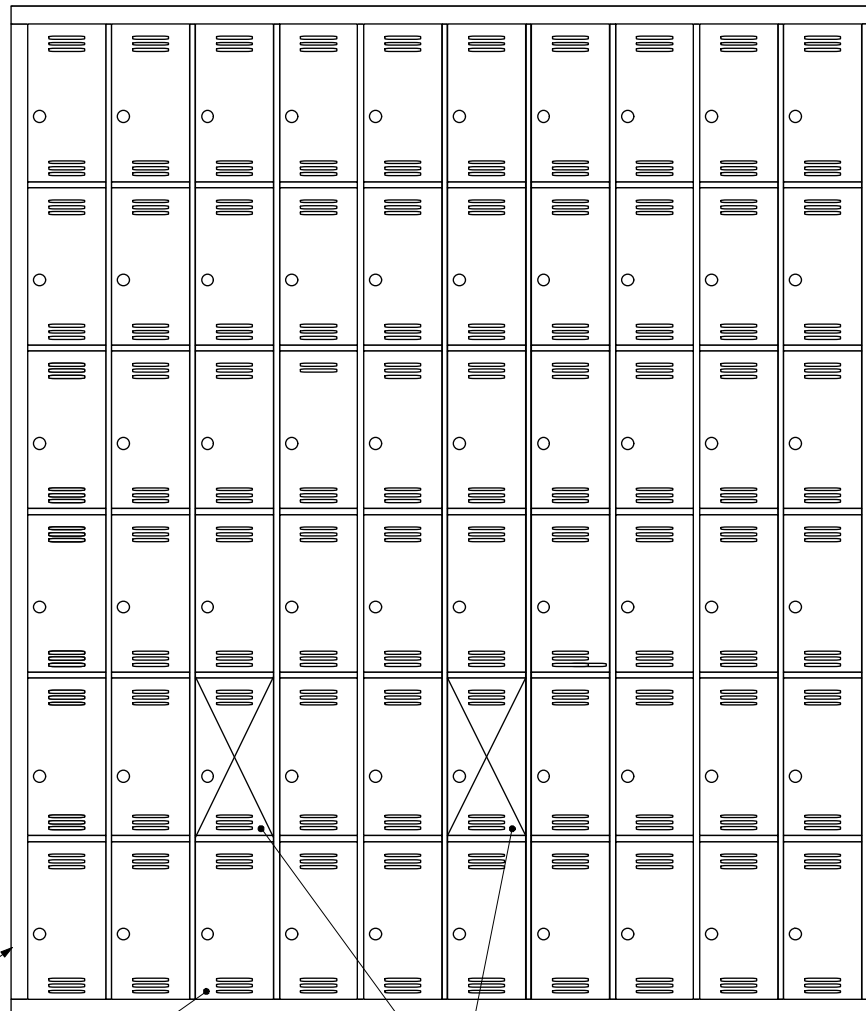
LOCKER WALL FLATS: FRONT VIEW

FLATS BOLTED WITH 5/16" HARDWARE

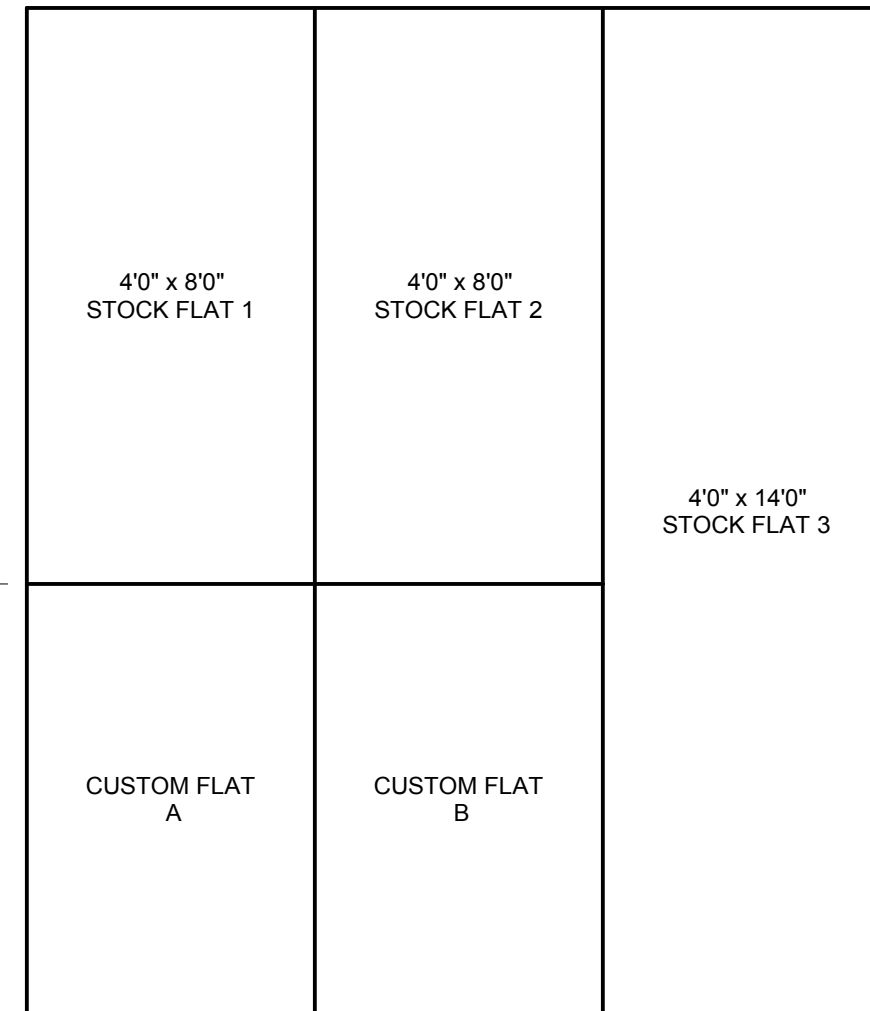
OVERVIEW: SIDE VIEW

REVEAL ABSENT FROM VIEW

1/4" MASONITE OVERHANG TO COVER REVEAL



THESE LOCKERS ARE FUNCTIONAL



6'-0"

4'-0"

PLATE 2

CUBBY

PLATE 6 & 7

PLATE 3

PLATE 4 & 5

PURDUE UNIVERSITY DEPARTMENT OF THEATRE ARTS

Good Kids

FLAT ORIENTATION

PLATE:

DIRECTOR: JOEL EBARB

DESIGNER: KYLE RANSBOTTOM

TECHNICAL DIRECTOR: STEVE HNATH

DRAFTER: ELENA HELVAJIAN

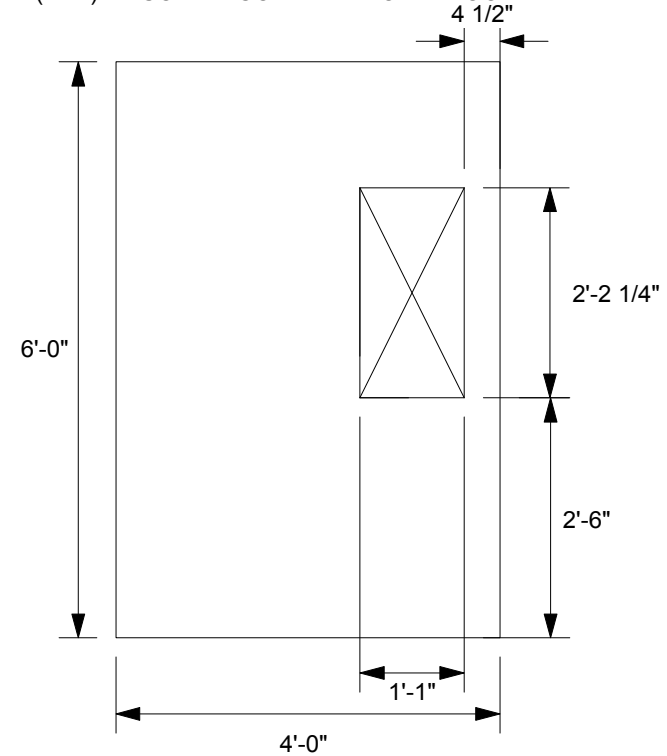
SCALE: 3/8"=1'-0"

02/07/15

01

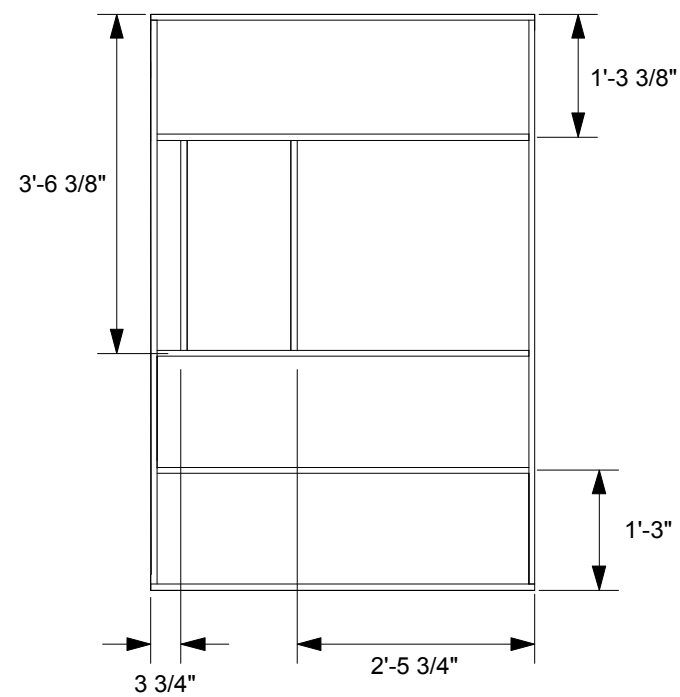
CUSTOM FLAT A: FRONT VIEW

(TYP) MASONITE COVERED HOLLYWOOD FLAT



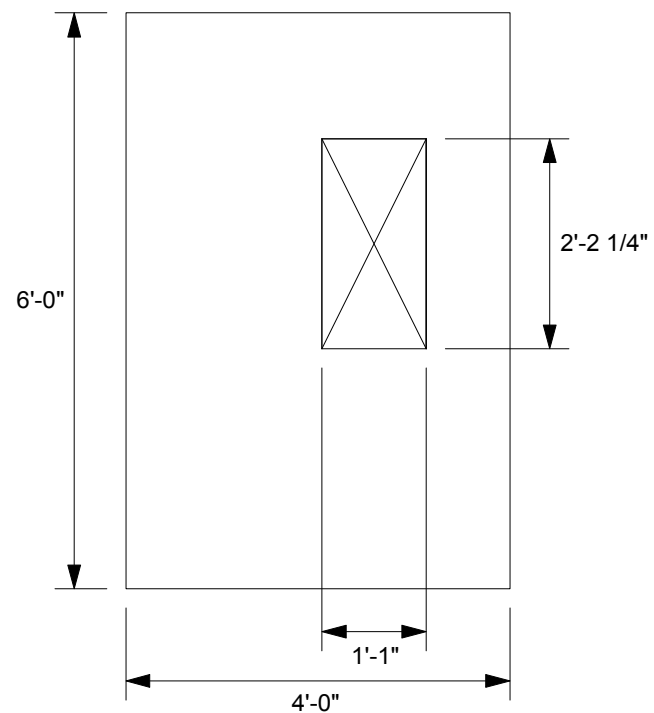
CUSTOM FLAT A: REAR VIEW

1/4" MASONITE OVER 3/4" FRAME



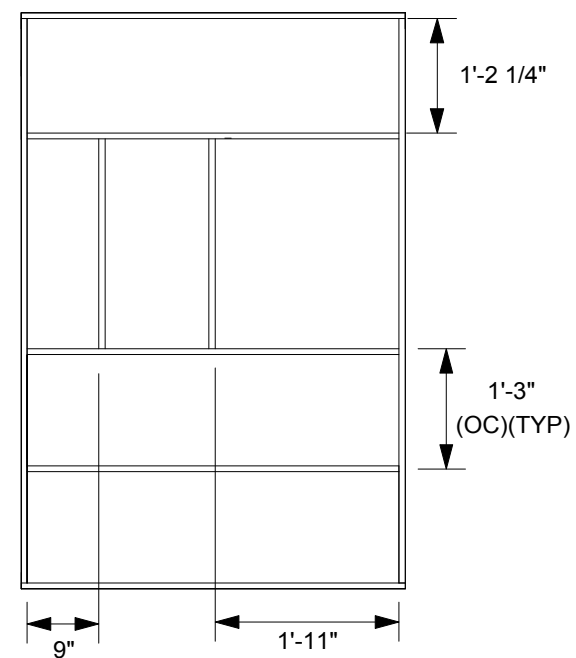
CUSTOM FLAT B: FRONT VIEW

(TYP) MASONITE COVERED HOLLYWOOD FLAT



CUSTOM FLAT B: REAR VIEW

1/4" MASONITE OVER 3/4" FRAME



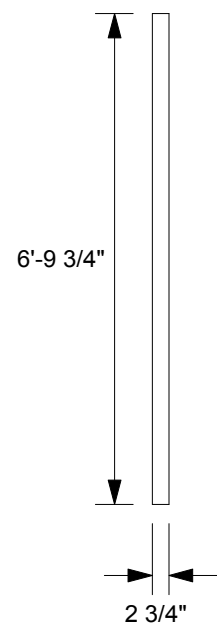
PURDUE UNIVERSITY DEPARTMENT OF THEATRE ARTS	
<i>Good Kids</i>	
CUSTOM FLATS	PLATE:
DIRECTOR: JOEL EBARB	02
DESIGNER: KYLE RANSBOTTOM	
TECHNICAL DIRECTOR: STEVE HNATH	
DRAFTER: ELENA HELVAJIAN	
SCALE: 1/2"=1'-0"	02/07/15

INVENTORY

1/4" MASONITE

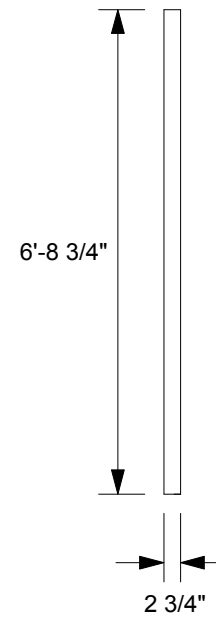
BOARD A

CUT (2)



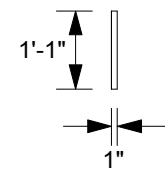
BOARD B

CUT (2)



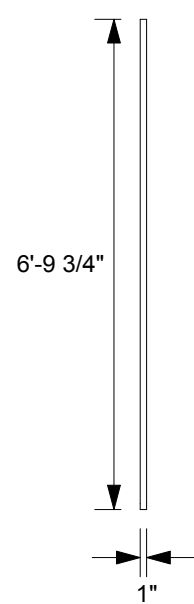
BOARD C

CUT (50)



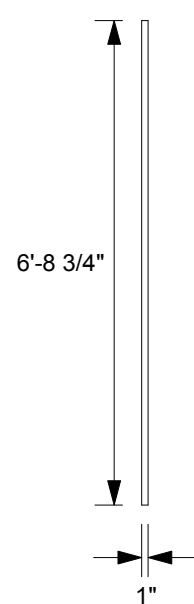
BOARD D

CUT (9)

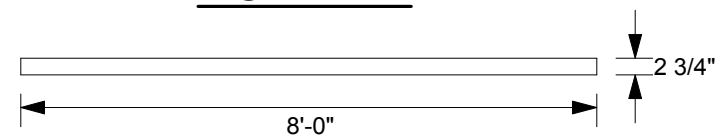


BOARD E

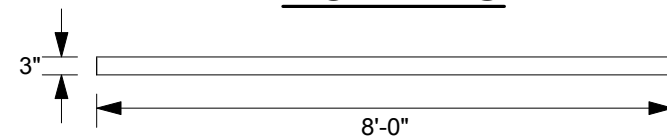
CUT (9)



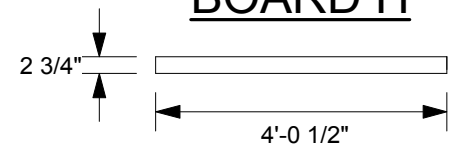
BOARD F



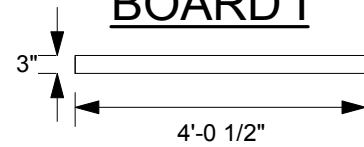
BOARD G



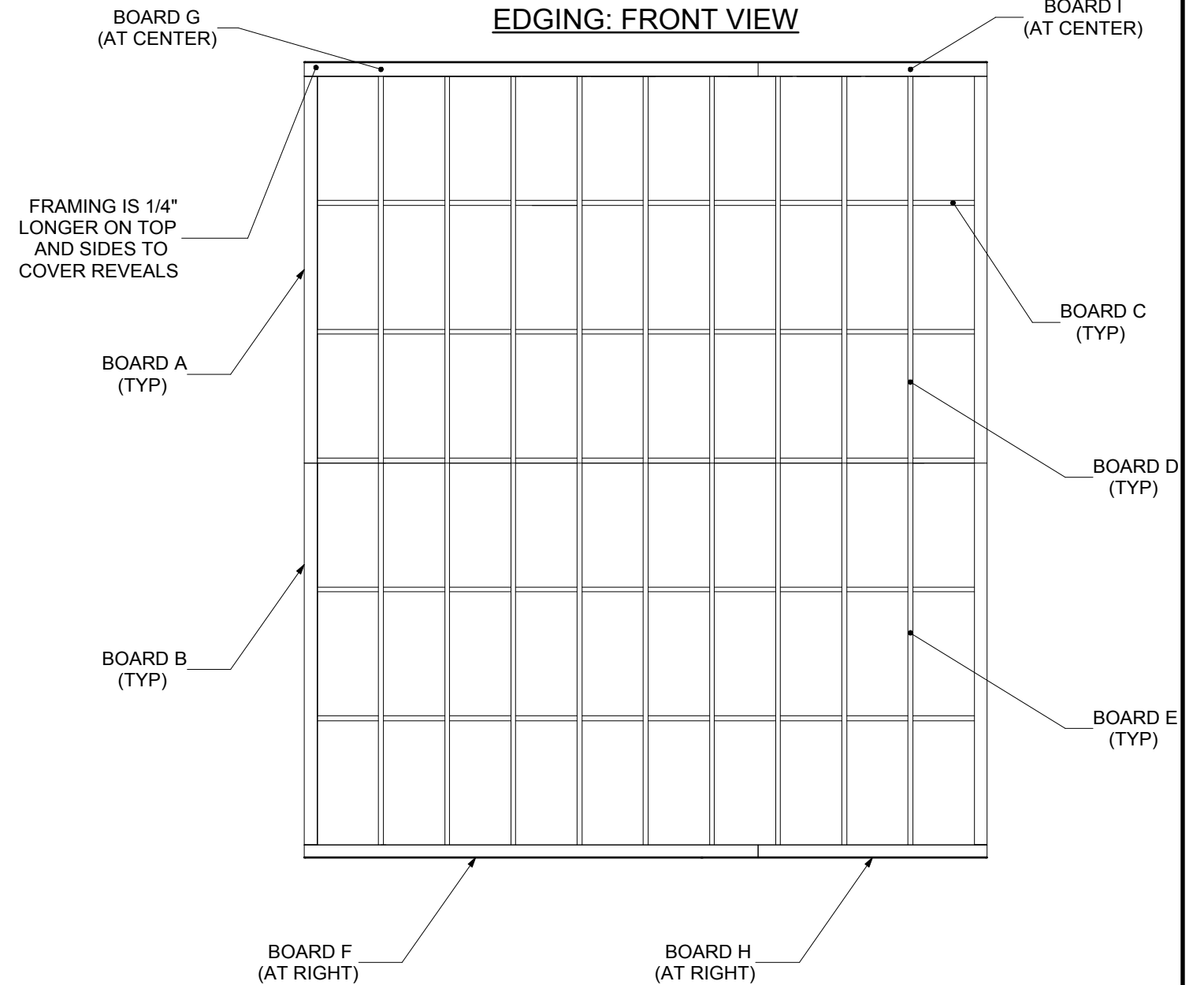
BOARD H



BOARD I



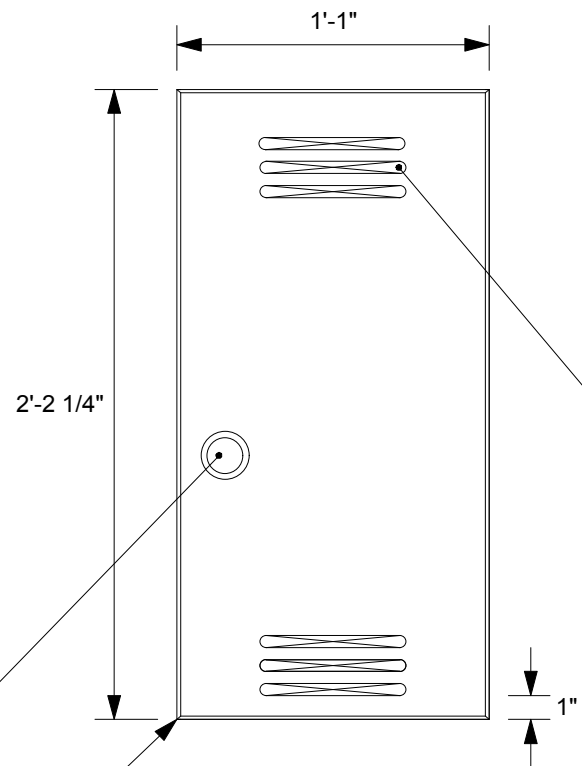
EDGING: FRONT VIEW



PURDUE UNIVERSITY DEPARTMENT OF THEATRE ARTS	
<i>Good Kids</i>	
EDGING	PLATE:
DIRECTOR: JOEL EBARB	
DESIGNER: KYLE RANSBOTTOM	
TECHNICAL DIRECTOR: STEVE HNATH	
DRAFTER: ELENA HELVAJIAN	
SCALE: 3/8"=1'-0"	02/07/15
03	

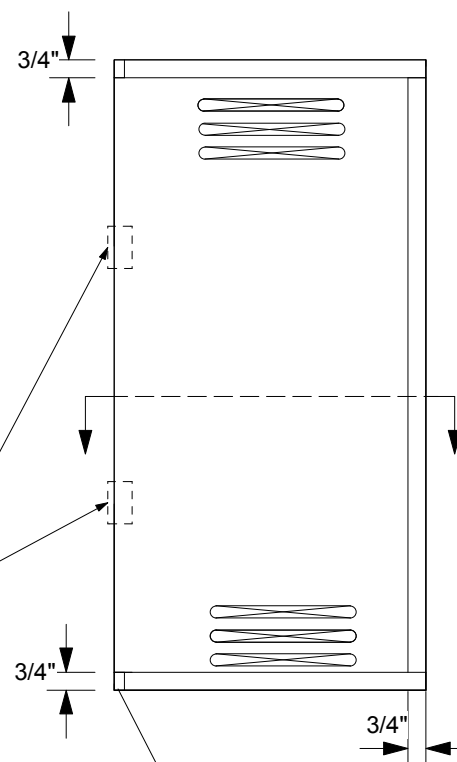
LOCKER: FRONT VIEW

1/4" MASONITE
SCALE: 1 1/2" = 1'0"



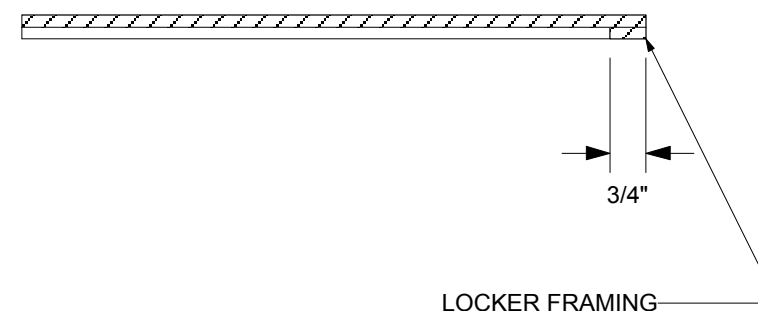
FUNCTIONAL LOCKER: REAR VIEW

BUILD (2)
1/4" MASONITE
SCALE: 1 1/2" = 1'0"



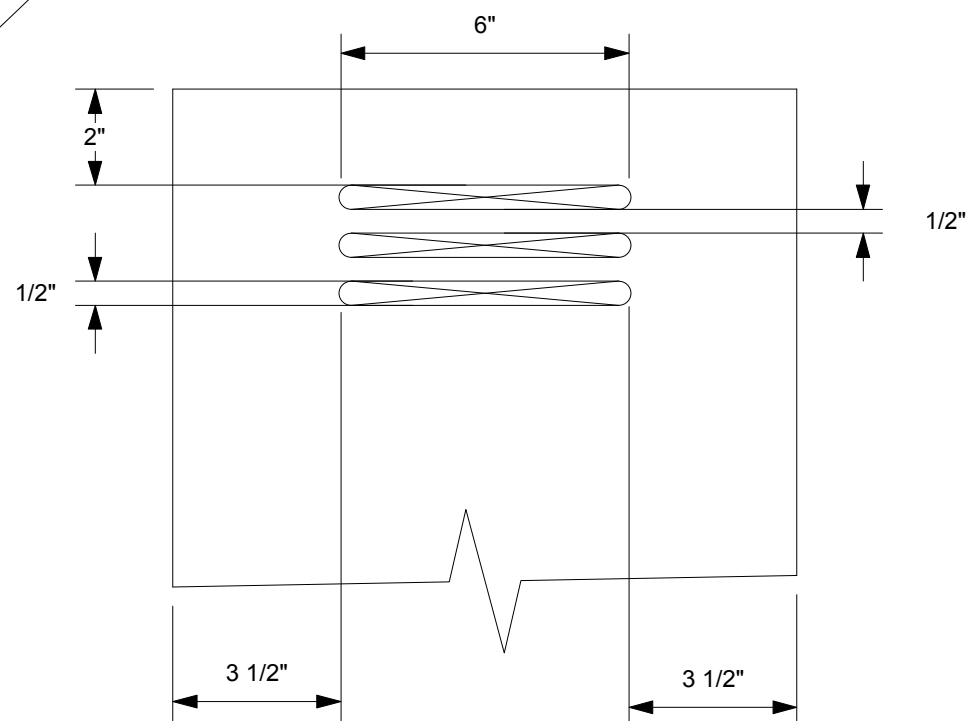
FUNCTIONAL LOCKER: SECTION VIEW

1/4" MASONITE
SCALE: 3" = 1'0"



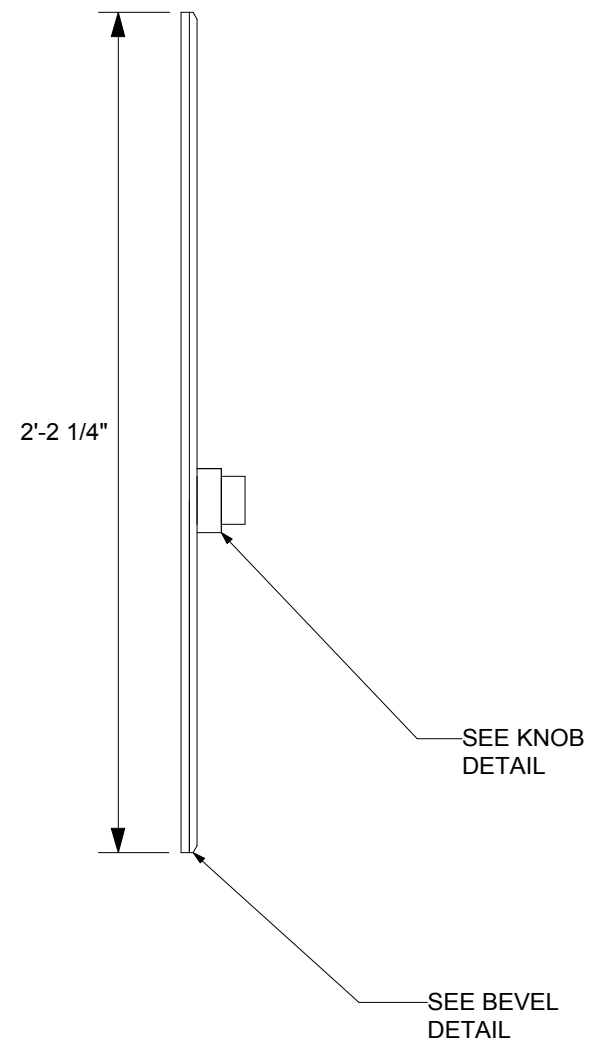
LOCKER DETAIL

SCALE: 3" = 1'0"



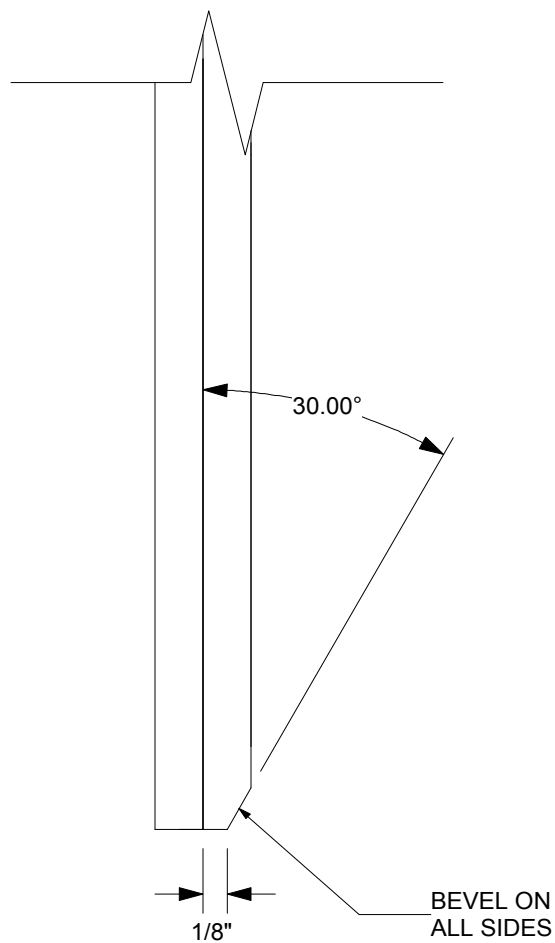
PURDUE UNIVERSITY DEPARTMENT OF THEATRE ARTS	
<i>Good Kids</i>	
LOCKER DETAIL	PLATE:
DIRECTOR: JOEL EBARB	04
DESIGNER: KYLE RANSBOTTOM	
TECHNICAL DIRECTOR: STEVE HNATH	
DRAFTER: ELENA HELVAJIAN	
SCALE: N/A	02/07/15

LOCKER: SIDE VIEW



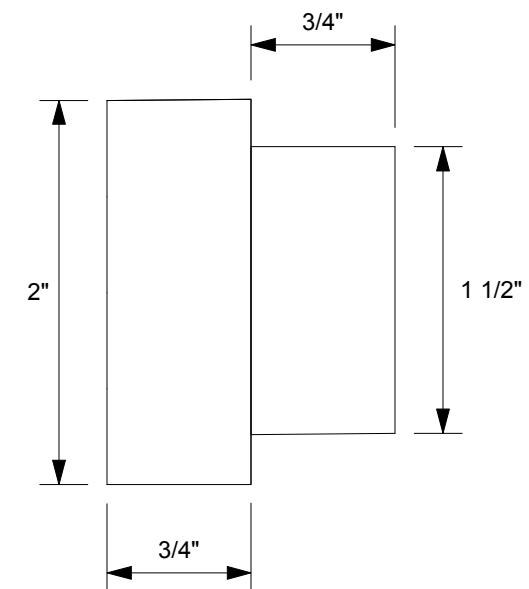
BEVEL DETAIL

SCALE: 1'0" = 1'-0"



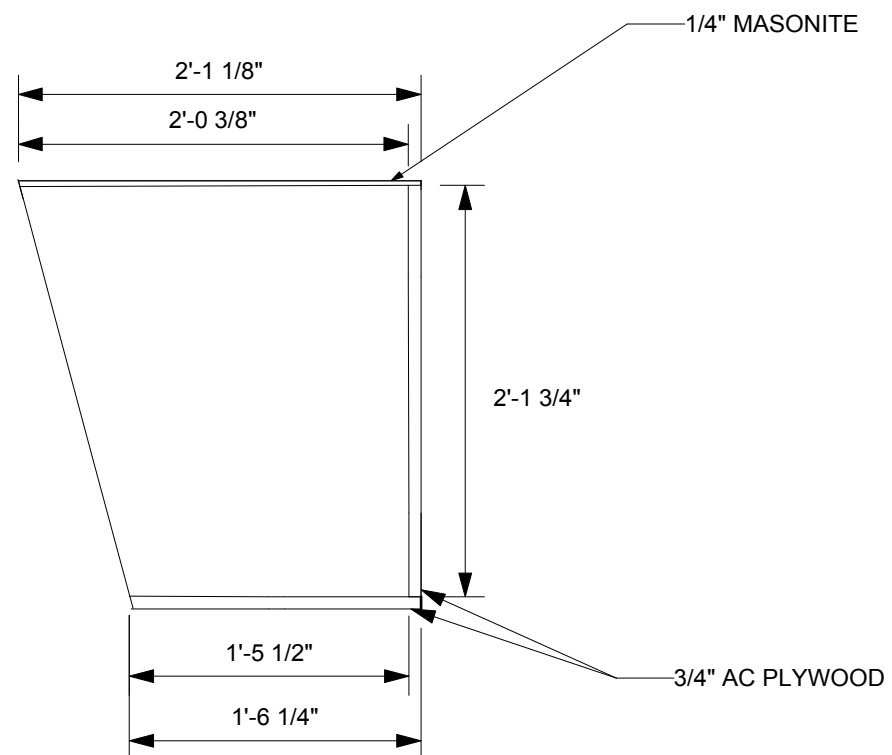
KNOB DETAIL

SCALE: 1'0" = 1'-0"
2" DOWEL, 1.5" DOWEL
BUILD (60)



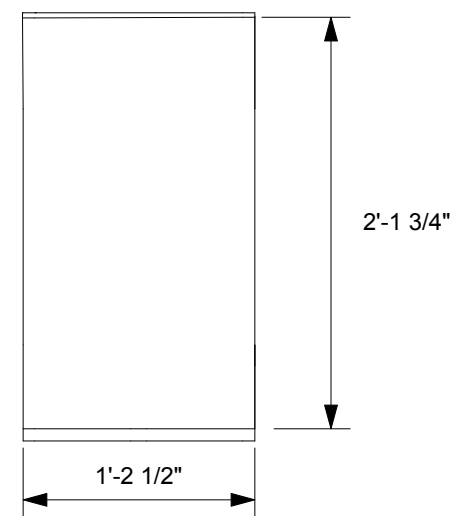
PURDUE UNIVERSITY DEPARTMENT OF THEATRE ARTS	
<i>Good Kids</i>	
LOCKER DETAIL	PLATE:
DIRECTOR: JOEL EBARB	05
DESIGNER: KYLE RANSBOTTOM	
TECHNICAL DIRECTOR: STEVE HNATH	
DRAFTER: ELENA HELVAJIAN	
SCALE: N/A	02/07/15

CUBBY: SIDE VIEW



CUBBY: REAR VIEW

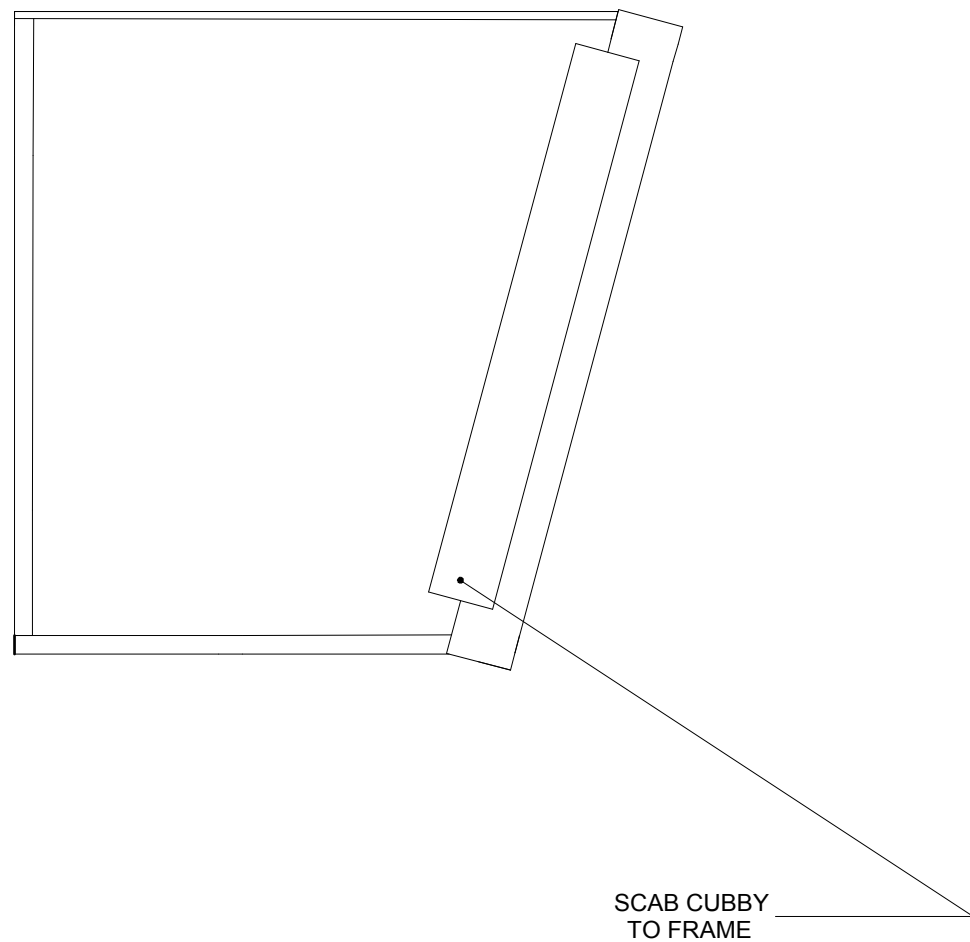
L-BRACKETS (SUGGESTED PLACEMENT)



PURDUE UNIVERSITY DEPARTMENT OF THEATRE ARTS	
<i>Good Kids</i>	
CUBBY GENERAL VIEW	PLATE:
DIRECTOR: JOEL EBARB	
DESIGNER: KYLE RANSBOTTOM	
TECHNICAL DIRECTOR: STEVE HNATH	
DRAFTER: ELENA HELVAJIAN	
SCALE: 1 1/2"=1'-0"	02/07/15

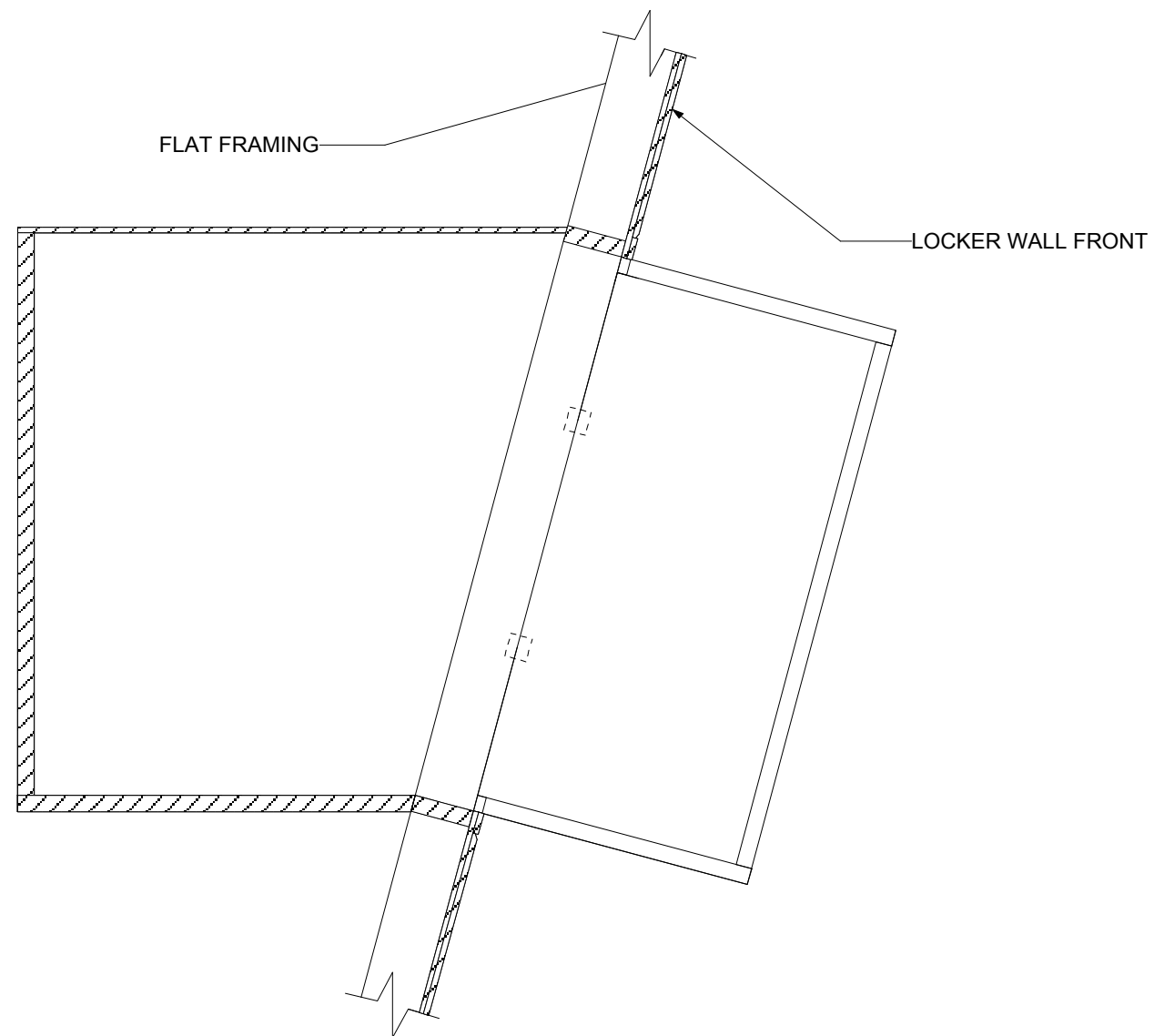
06

CUBBY: SIDE VIEW



CUBBY: SIDE SECTION VIEW

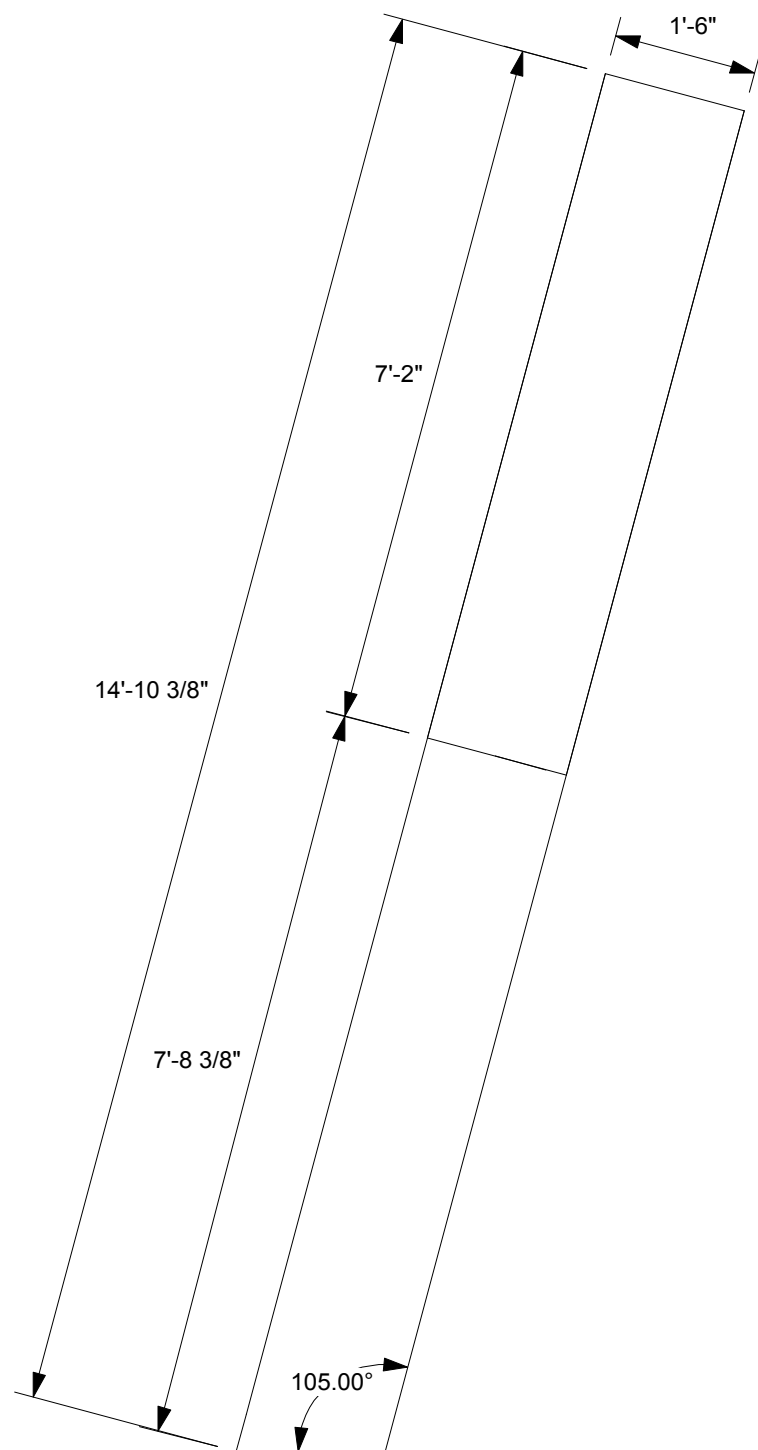
LOCKER DOOR TO CUBBY BY TWO HINGES
(SUGGESTED PLACEMENT)



PURDUE UNIVERSITY DEPARTMENT OF THEATRE ARTS	
<i>Good Kids</i>	
ATTACHING THE CUBBY	PLATE:
DIRECTOR: JOEL EBARB	07
DESIGNER: KYLE RANSBOTTOM	
TECHNICAL DIRECTOR: STEVE HNATH	
DRAFTER: ELENA HELVAJIAN	
SCALE: 1 1/2" = 1'-0"	02/07/15

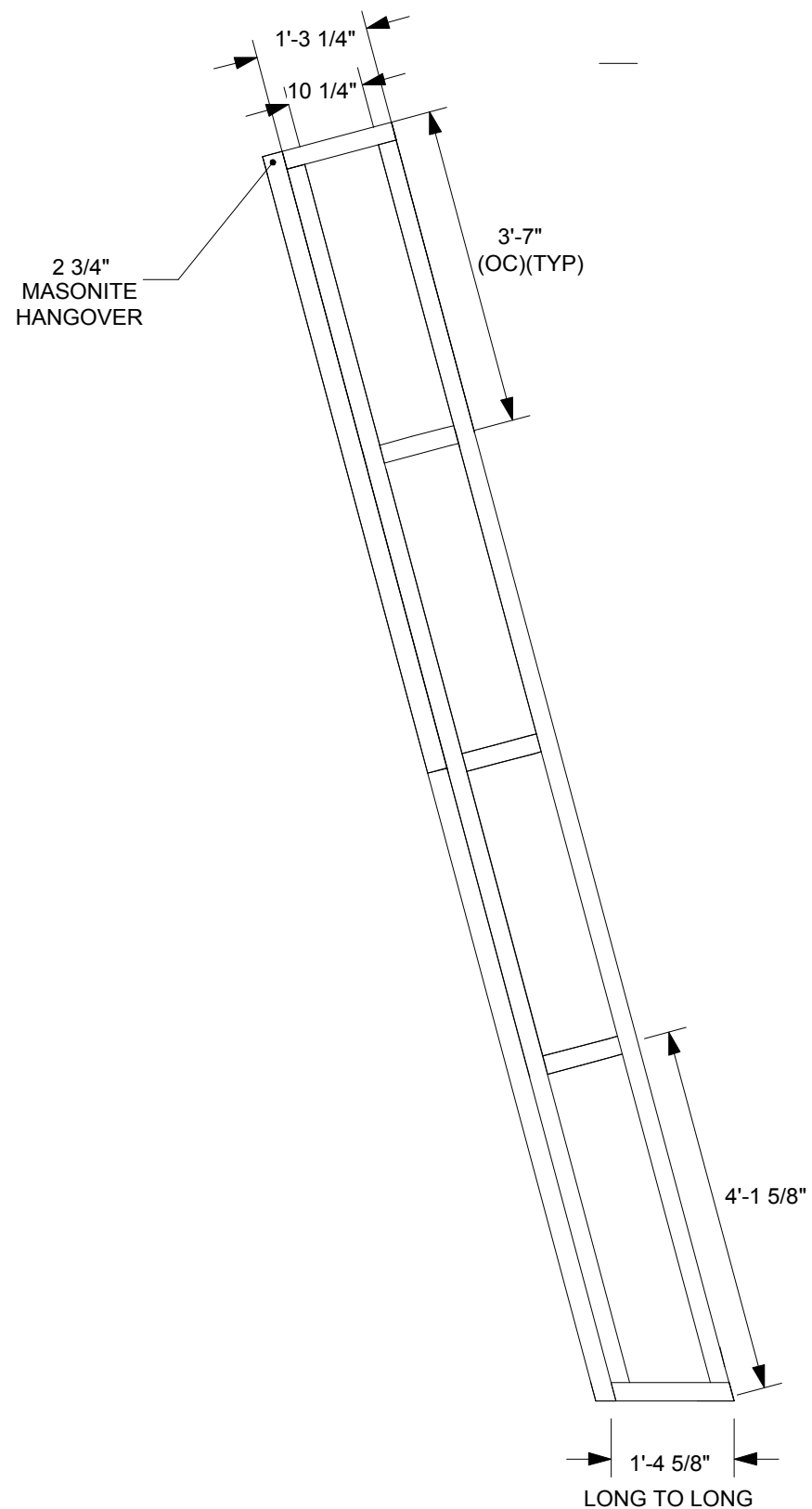
SR REVEAL: FRONT VIEW

REVERSE AND REPEAT
1/4" MASONITE



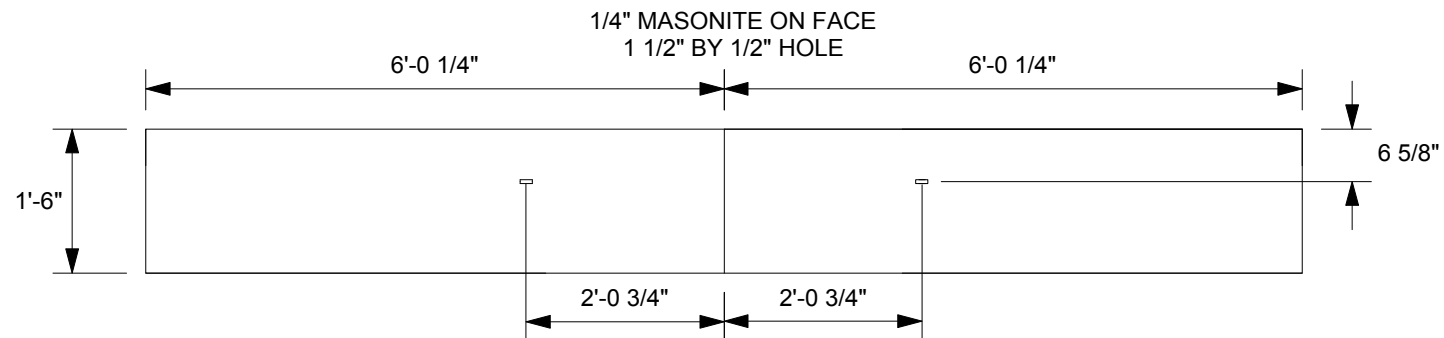
SR REVEAL: REAR VIEW

1/4" MASONITE,
1 x 3 RIPPED TO 2 1/2"

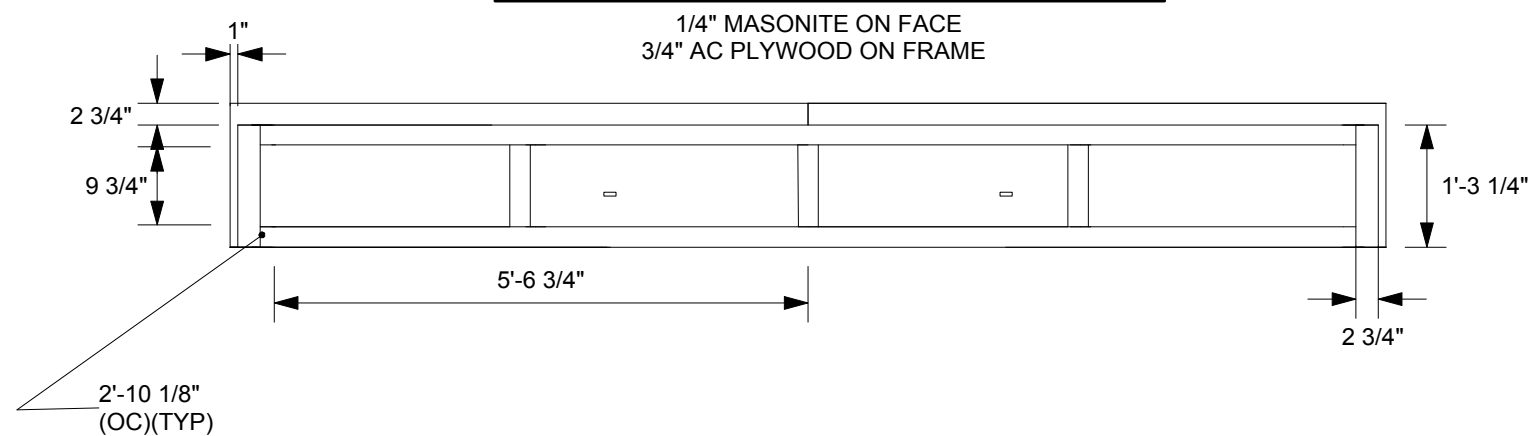


PURDUE UNIVERSITY DEPARTMENT OF THEATRE ARTS		
<i>Good Kids</i>		
REVEALS	PLATE:	
08		
		DIRECTOR: JOEL EBARB
		DESIGNER: KYLE RANSBOTTOM
TECHNICAL DIRECTOR: STEVE HNATH		
DRAFTER: ELENA HELVAJIAN		
SCALE: 1/2"=1'-0"	02/07/15	

TOP REVEAL: TOP VIEW

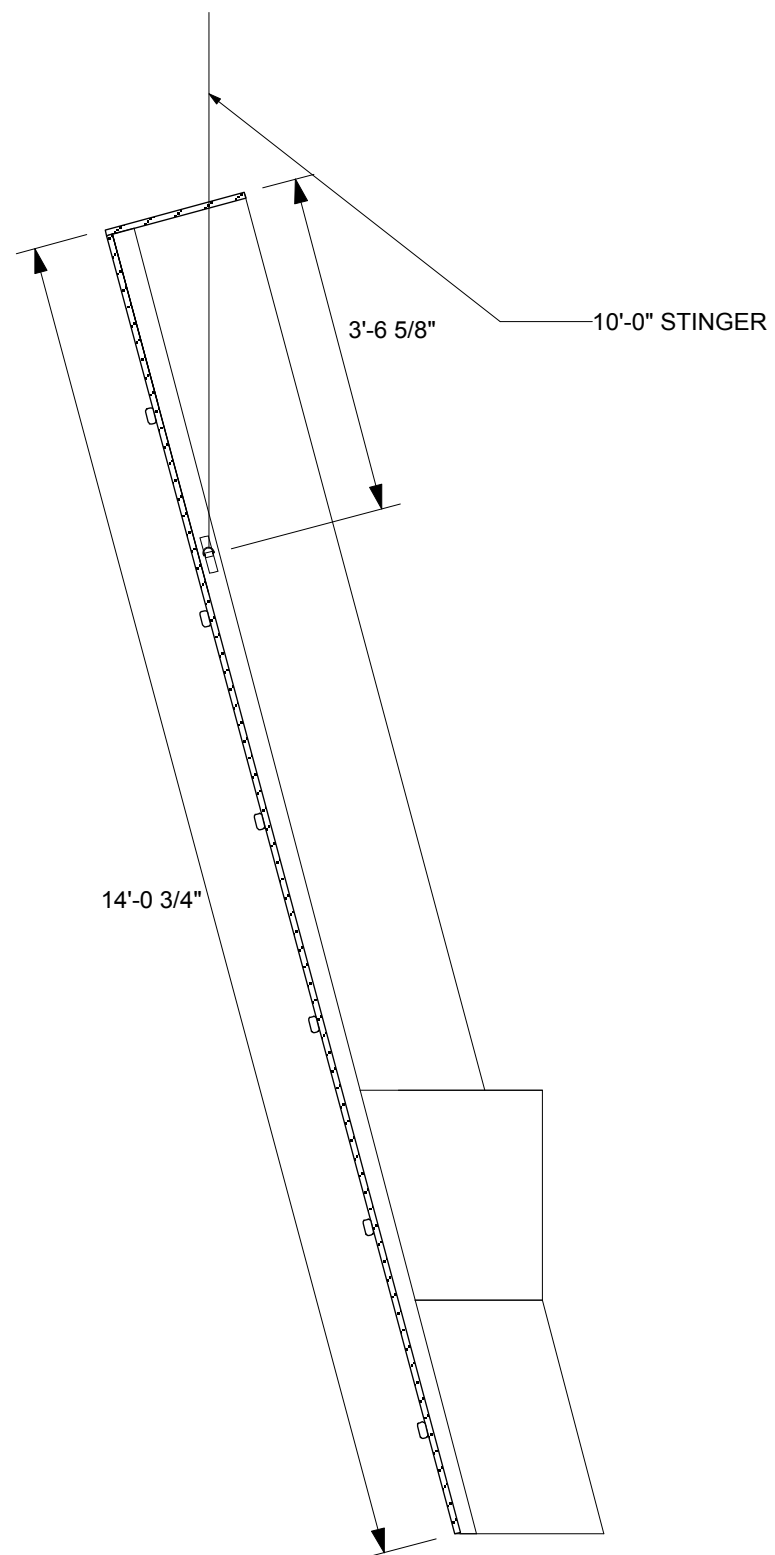


TOP REVEAL: BOTTOM VIEW



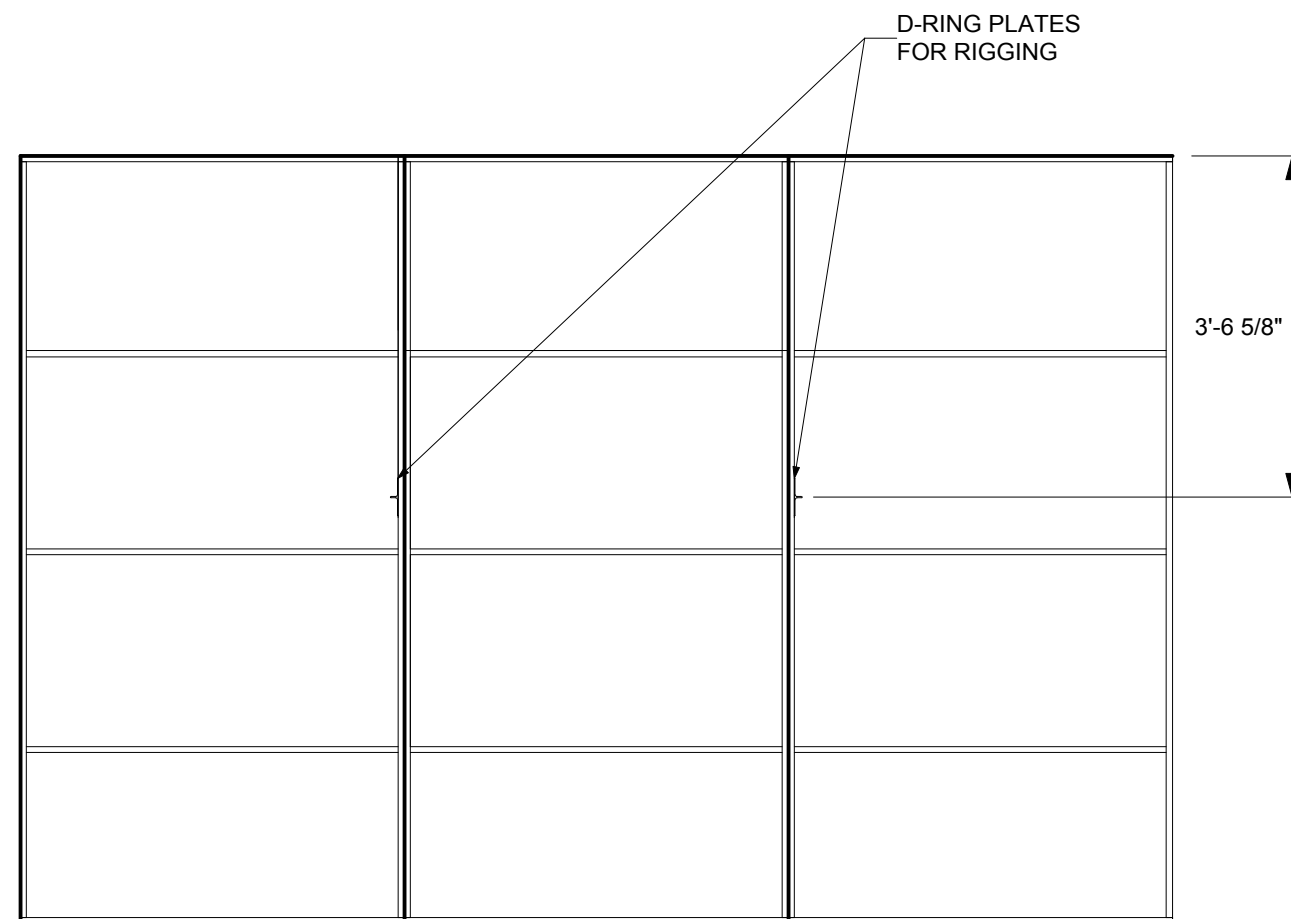
PURDUE UNIVERSITY DEPARTMENT OF THEATRE ARTS	
<i>Good Kids</i>	
TOP REVEAL	PLATE:
DIRECTOR: JOEL EBARB	09
DESIGNER: KYLE RANSBOTTOM	
TECHNICAL DIRECTOR: STEVE HNATH	
DRAFTER: ELENA HELVAJIAN	
SCALE: 1/2"=1'0-0"	02/07/15

LOCKER WALL RIGGING: SIDE VIEW

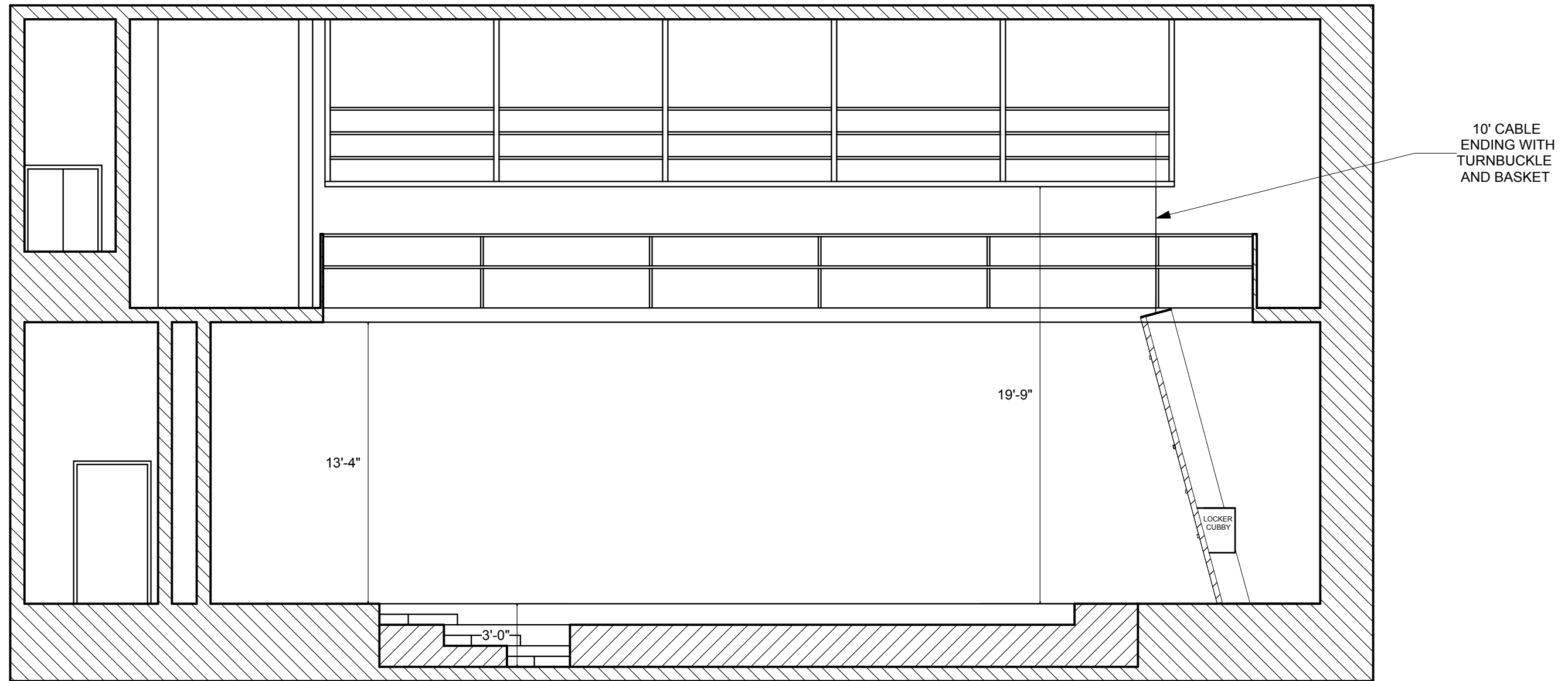


TOP FLATS D-RING PLACEMENT: REAR VIEW

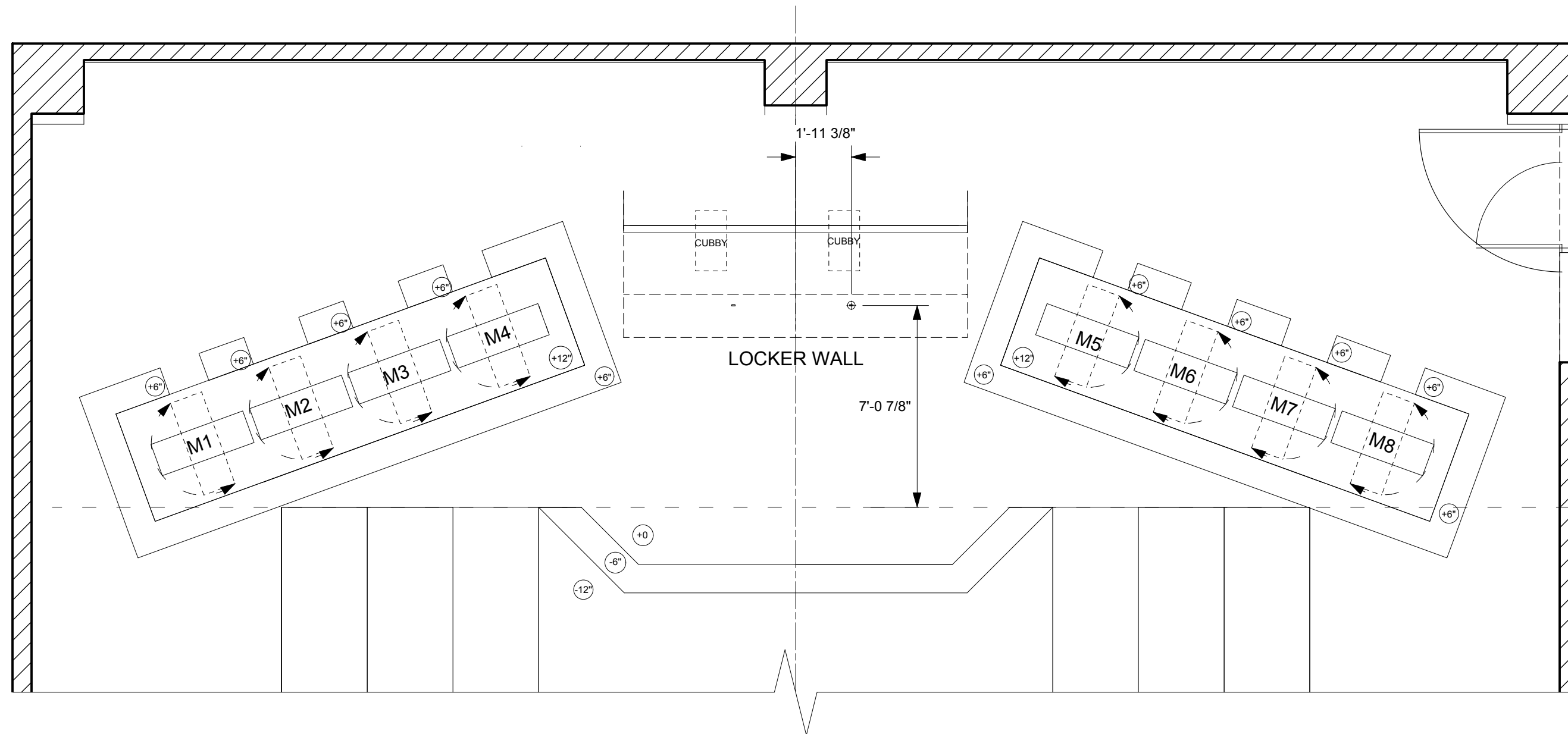
D-RING PLATES PLACED ON FLATS 1 AND 3



PURDUE UNIVERSITY DEPARTMENT OF THEATRE ARTS	
<i>Good Kids</i>	
CONNECTING RIGGING TO FLAT	PLATE:
DIRECTOR: JOEL EBARB	10
DESIGNER: KYLE RANSBOTTOM	
TECHNICAL DIRECTOR: STEVE HNATH	
DRAFTER: ELENA HELVAJIAN	
SCALE: 1/2"=1'0"	02/07/15



PURDUE UNIVERSITY DEPARTMENT OF THEATRE ARTS	
<i>Good Kids</i>	
RIGGING SECTION VIEW	PLATE:
DIRECTOR: JOEL EBARB	11
DESIGNER: KYLE RANSBOTTOM	
TECHNICAL DIRECTOR: STEVE HNATH	
DRAFTER: ELENA HELVAJIAN	
SCALE: 3/16"=1'-0"	02/07/15



PURDUE UNIVERSITY DEPARTMENT OF THEATRE ARTS	
<i>Good Kids</i>	
GROUND PLAN	PLATE:
DIRECTOR: JOEL EBARB	
DESIGNER: KYLE RANSBOTTOM	
TECHNICAL DIRECTOR: STEVE HNATH	
DRAFTER: ELENA HELVAJIAN	
SCALE: 3/16"=1'-0"	02/07/15

12